

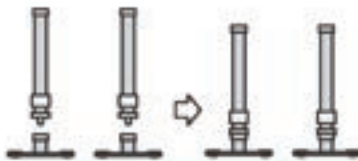
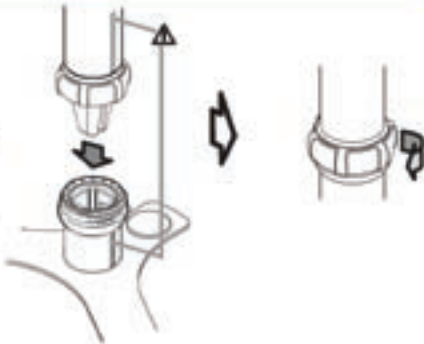
# TRIGA™

## ASSEMBLY INSTRUCTIONS

### MODULA

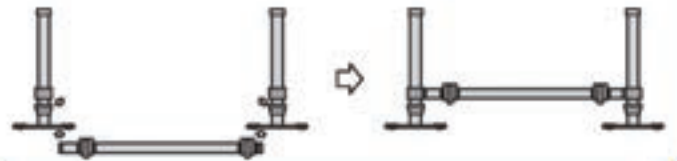
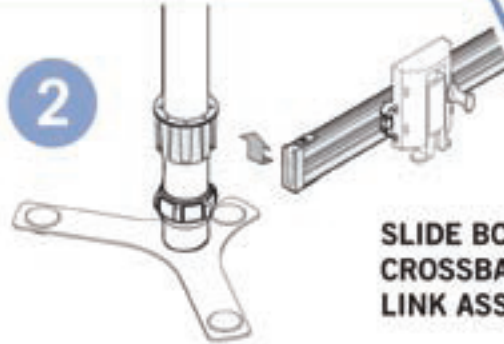
1

INSERT & TURN  
COLLAR  
CLOCKWISE TO  
SECURE



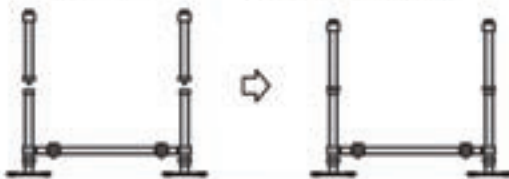
2

SLIDE BOTTOM  
CROSSBAR  
ONTO  
LINK ASSEMBLY



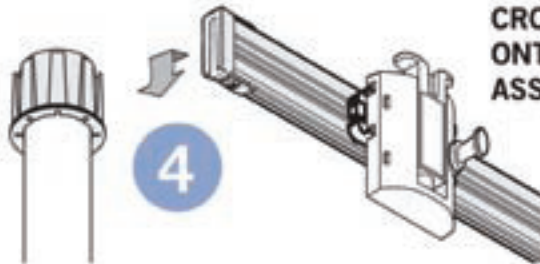
3

CONNECT TOP  
UPRIGHT POLE



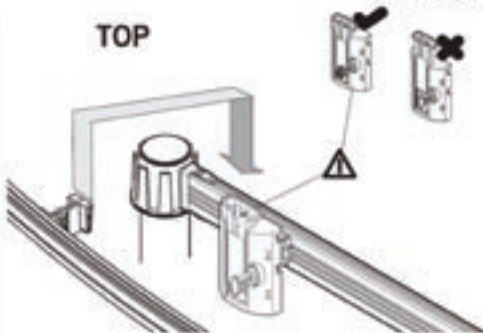
4

SLIDE TOP  
CROSSBAR  
ONTO LINK  
ASSEMBLY



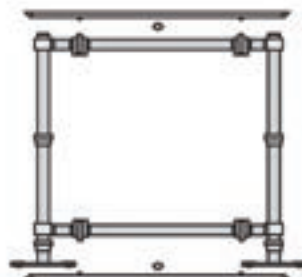
ENSURE TRIGA'S ARE NOT ACTIVATED

TOP

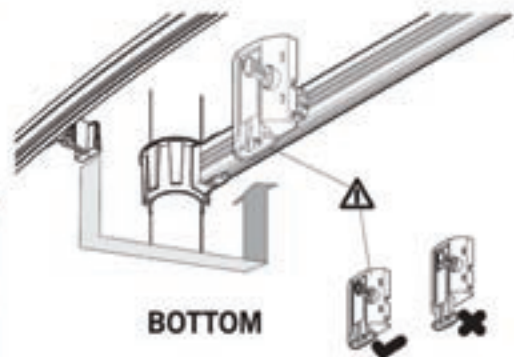


INSERT GRAPHIC RAILS INTO  
THE TRIGA TENSIONING DEVICE

5



BOTTOM



### MODULA



**6**

INSERT LEADING EDGE OF GRAPHIC PANEL INTO THE GRAPHIC RAIL CHANNEL

TOP

BOTTOM

**7**

PRESS BUTTON TO ACTIVATE THE TRIGA SELF-TENSIONING DEVICE

TRIGA'S EXTENDED IN THE 'TENSIONED' MODE  
· TO RELAX - PRESS BUTTON & PUSH IN THE EXTENDED SLIDE

GRAPHIC PANEL IN THE 'RELAXED' MODE

GRAPHIC PANEL IN THE 'TENSIONED' MODE

**EXPLODED VIEW**

1. UPRIGHT POLE
2. LINK
3. FOOT
4. CROSS BAR
5. TRIGA DEVICE
6. GRAPHIC RAIL
7. CONNECTOR